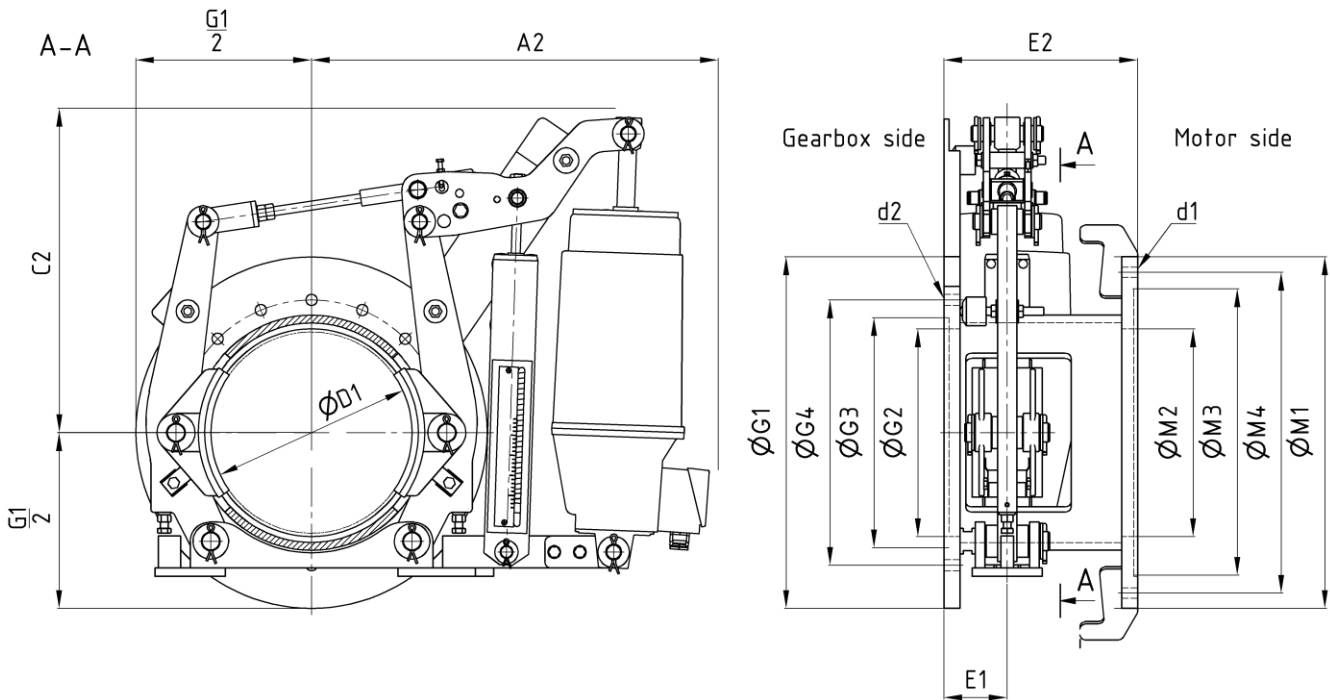


Drum brake EBE

according to 15435

edition 06/2022 | EN
page 1 / 1



Order example: EBE D1 - 50/6 - M1 / M2 / M3H7 / M4 nxd1 - G2 / G3 / G4 nxd2 ³⁾

dimensions in [mm]

Technical data

D1	Thruster size	M _{Br} [Nm] μ = 0,4 ^{1) 2)}		M1	M2	M3	M4	d1	G1 min	G2	G3	G4	d2	A2	C2	E1 min	E2 min	m [kg] ⁴⁾
200	23/5	100 -	300											500	325			
	30/5	100 -	420		212				350	212				500	325	99	244	60
	50/6	140 -	800											558	370			
250	23/5	100 -	300											520	335			
	30/5	100 -	425											520	335			
	50/6	160 -	800		260				450	260				580	400	99	275	85
	80/6	160 -	1200											580	400			
315	23/5	120 -	375											620	435			
	30/5	120 -	525											585	435			
	50/6	200 -	940		325				550	325				635	435	99	290	140
	80/6	200 -	1600											635	435			
	121/6	200 -	2400											630	545			
400	50/6	300 -	940		410				640	410				700	460	130	360	180
	80/6	300 -	1610											675	460			

1. Friction value can change due to various operation conditions like circumferential speed, contact pressure, thermal load, material of the brake drum and environmental influences. This should be taken in consideration when calculating the brake.
2. Recommendation: necessary braking torque between 30 % and 80 % of the maximum value
3. Deviations of flange diameter on request.
4. without thruster, without accessories

subject to change without notice