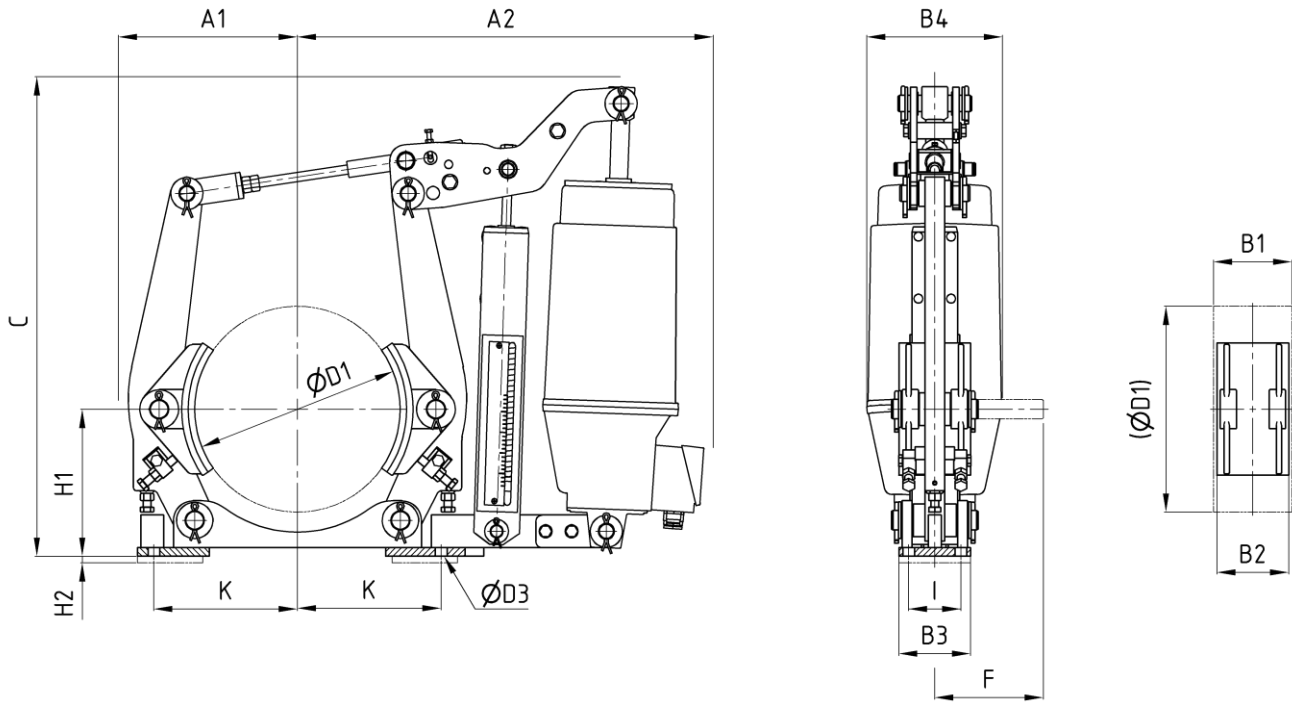


Drum brake EB according to 15435

edition 06/2022 | EN
page 1 / 2



Order example: EB D1 – 50/6

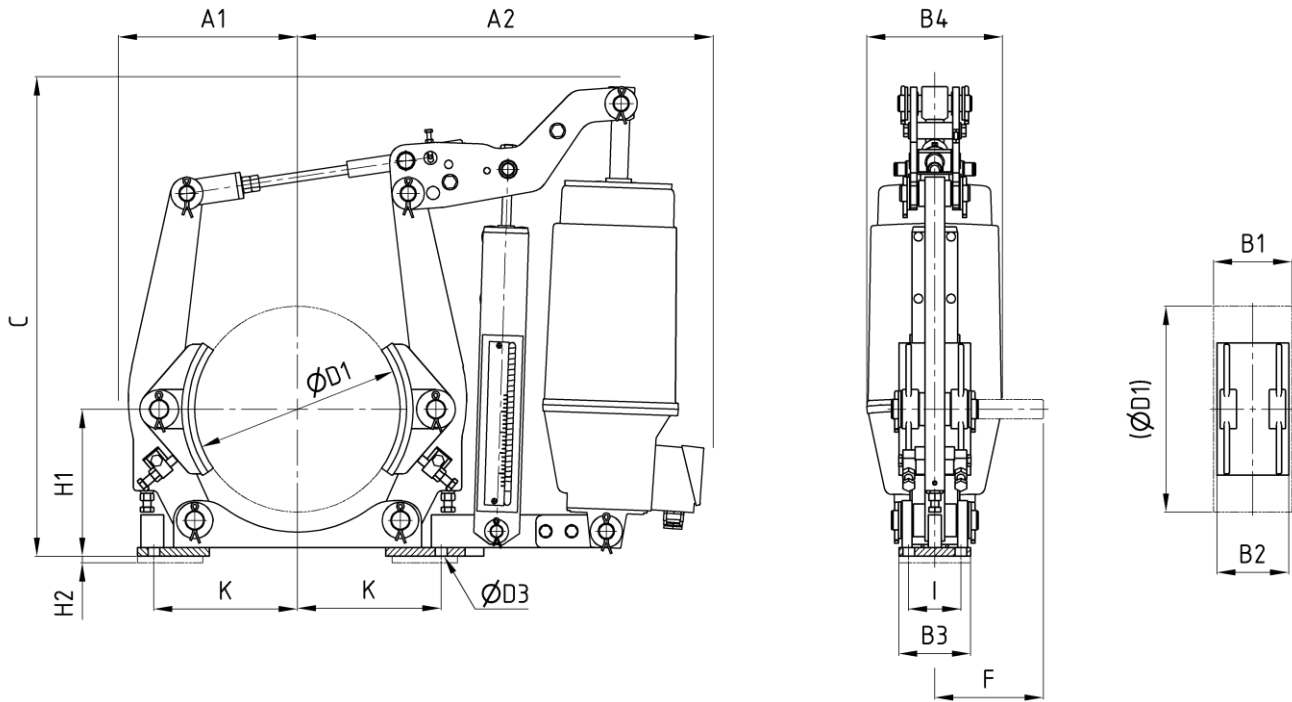
dimensions in [mm]

Technical data

D1	Thruster size	M _{Br} [Nm] μ = 0,4 ¹⁾²⁾	A1	A2	B1	B2	B3	B4	C	D3	F	H1	H2 ³⁾	I	K	m [kg] ⁴⁾	
200	23/5	100 -	300					162	480							27	
	30/5	100 -	420	180	500	75	70	80	160	480	14	110	155	5	55	145	27
	50/6	140 -	800		558				195	525						28	
250	23/5	100 -	300		520				162	520						36	
	30/5	100 -	425		520				160	520						36	
	50/6	160 -	800	207	580	95	90	100	195	585	18	135	185	5	65	180	38
	80/6	160 -	1200		580				210	585						38	
315	23/5	120 -	375		620				162	660						54	
	30/5	120 -	525		585				160	660						54	
	50/6	200 -	940	260	635	118	110	110	195	660	18	160	225	5	80	220	54
	80/6	200 -	1600		635				210	660						54	
	121/6	200 -	2400		630				255	770						54	
400	50/6	300 -	940		700				195	730						77	
	80/6	300 -	1610		675				210	730						77	
	121/6	500 -	2580	322	710	150	140	140	255	790	22	200	270	10	100	270	77
	201/6	750 -	4000		710				255	790						77	

Drum brake EB according to 15435

edition 06/2022 | EN
page 2 / 2



Order example: EB D1 – 50/6

dimensions in [mm]

Technical data

D1	Thruster size	M _{Br} [Nm] μ = 0,4 ¹⁾²⁾	A1	A2	B1	B2	B3	B4	C	D3	F	H1	H2 ³⁾	I	K	m [kg] ⁴⁾	
500	50/6	400 -	1250					195	845							126	
	80/6	400 -	2080					210	845							126	
	121/6	500 -	3200	395	790	190	180	180	255	845	22	245	330	10	130	325	125
	201/6	750 -	5000		790				255	845							125
630	121/6	600 -	3200		870				255	1035							198
	201/6	750 -	5000	470	870	236	225	220	255	1035	27	300	410	10	170	400	199
	301/6	750 -	7600		870				255	1035							205
710	121/6	750 -	3600		955				255	1100							241
	201/6	1000 -	5600		955				255	1100							242
	301/6	1000 -	8600	530	955	265	255	240	255	1100	27	335	460	10	190	450	243
	301/12	1000 -	10000		955				255	1100							242

1. Friction value can change due to various operation conditions like circumferential speed, contact pressure, thermal load, material of the brake drum and environmental influences. This should be taken in consideration when calculating the brake.
2. Recommendation: necessary braking torque between 30 % and 80 % of the maximum value
3. without adjustment shim
4. without thruster, without accessories