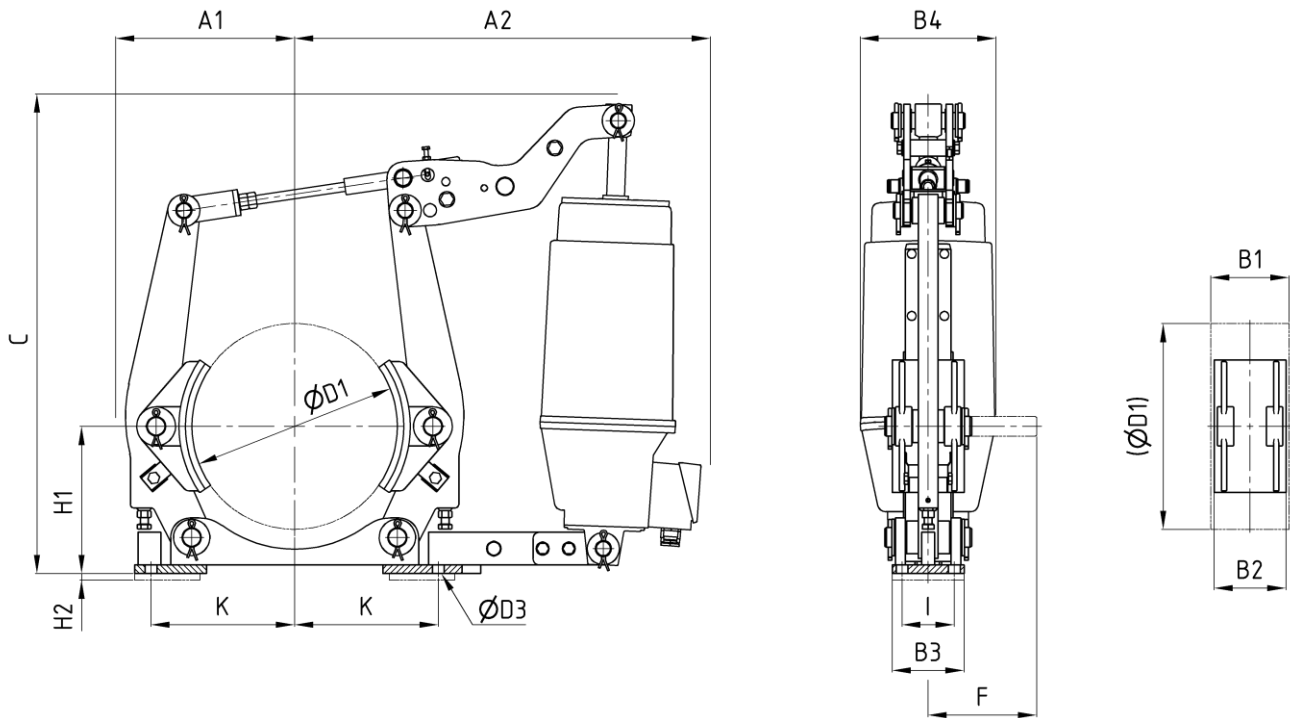


Drum brake RTC according to 15435

edition 06/2022 | EN
page 1 / 3



Order example: RTC D1 - 50/6 - C220

dimensions in [mm]

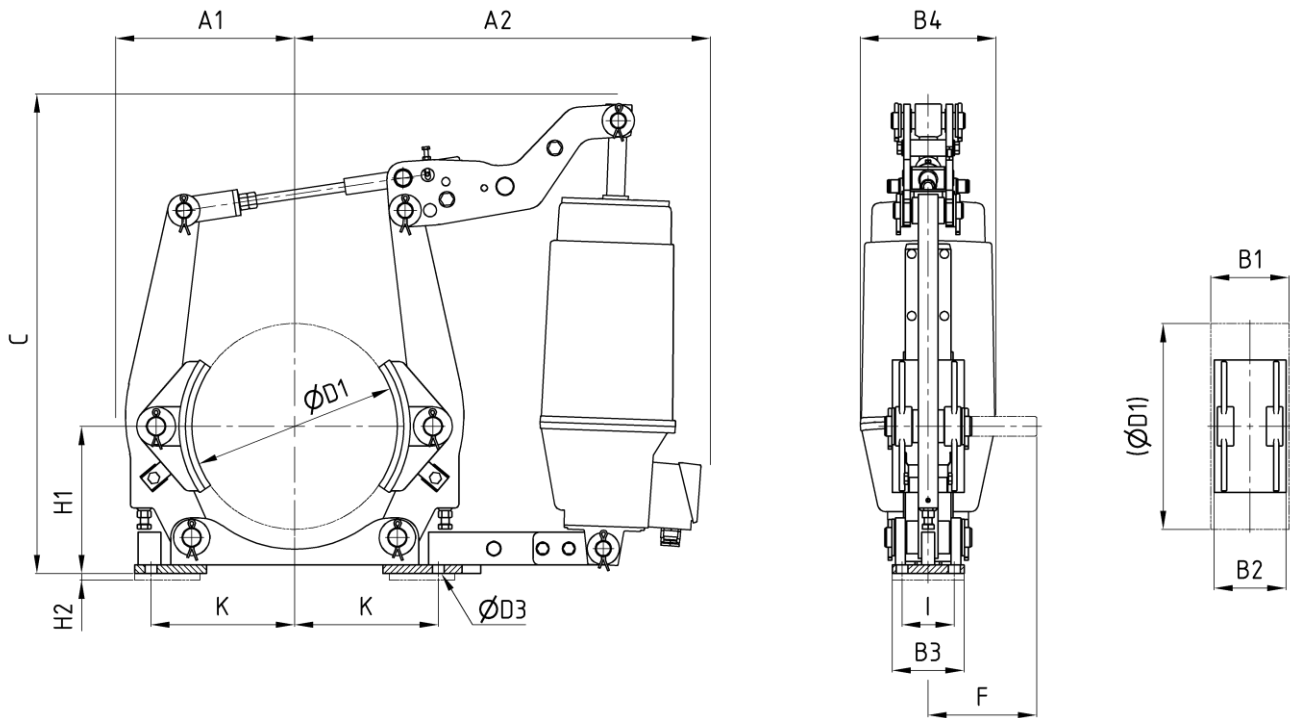
Technical data

D1	Thruster size	Spring [N]	M _{Br} [Nm] $\mu = 0,4^{1) 2)}$	A1	A2	B1	B2	B3	B4	C	D3	F	H1	H2 ³⁾	I	K	m [kg] ⁴⁾											
200	220-50	120	175	180	500	75	70	80	162	465	14	110	155	5	55	145	21											
		220	325															160	465									
	300-50	120	175		470				160	465																		
		200	295														195	490	27									
250	220-50	120	175	207	530	95	90	100	162	490	18	135	185	5	65	180				28								
		220	325														160	490										
	300-50	120	175		555				195	490									27									
		200	295														210	615		46								
	315	300-50	180		390				260	580									118		110	110	160	615	18	160	225	5
			270		500												195	615										
500-60		320	695	610	210	615	46																					
		500	1085					46																				
800-60	450	975	610	210	615	46																						
	800	1735																										

subject to change without notice

Drum brake RTC according to 15435

edition 06/2022 | EN
page 2 / 3



Order example: RTC D1 - 50/6 - C220

dimensions in [mm]

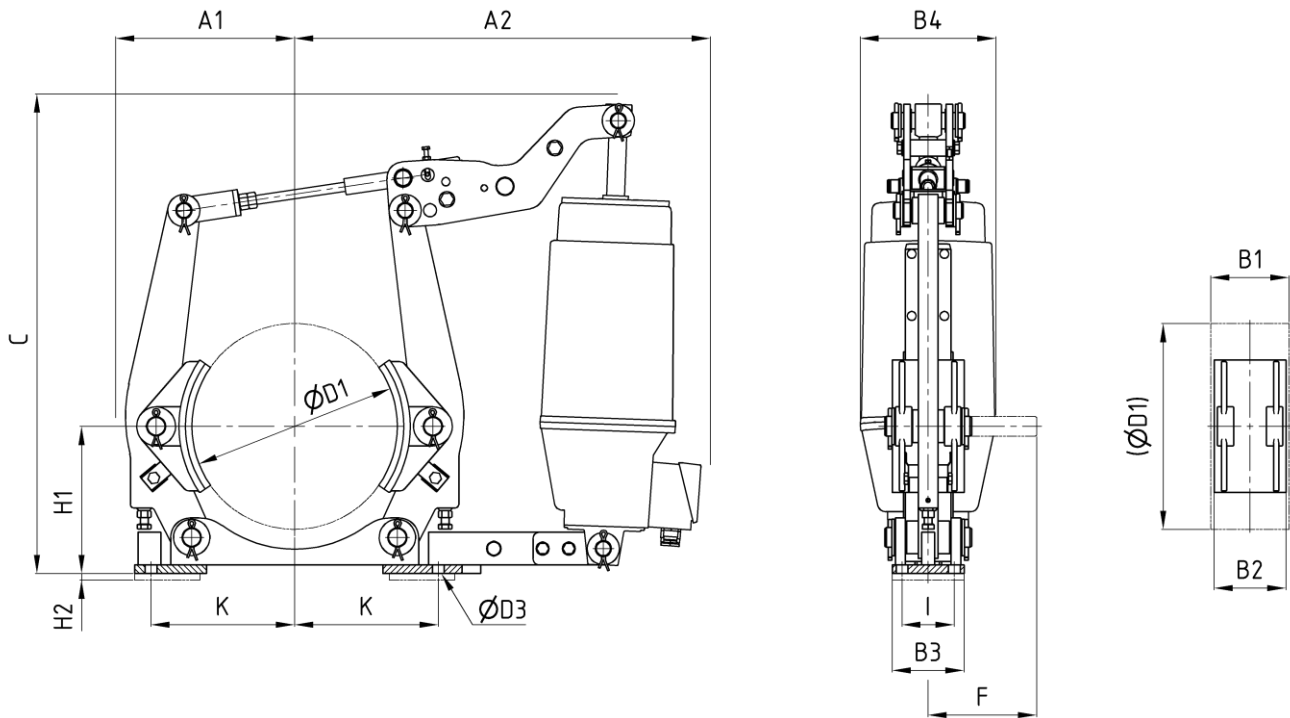
Technical data

D1	Thruster size	Spring [N]	M _{Br} [Nm] $\mu = 0,4^{1) 2)}$	A1	A2	B1	B2	B3	B4	C	D3	F	H1	H2 ³⁾	I	K	m [kg] ⁴⁾			
400	500-60	180	395	322	675	150	140	140	195	670	22	200	270	10	100	270	60			
		320	705															675	210	670
		500	1105		725				255	795							73			
	800-60	450	990															725	255	795
		800	1765																	
	2000-60	700	1510		725				255	795							73			
			1300															2800		
		2000																4320		
500			500-60	180		485	395	795			190	180	195	845	22	245		330	10	130
	320	860		795	210	845														
	500	1345						790	255	845			110							
	800-60	450	1210	790	255	845														
		800	2155																	
	1250-60	450	1210	790	255	845		108												
			800						2155											
		1250							3370											
700			1885																	
	1300	3500																		
2000		5400																		

subject to change without notice

Drum brake RTC according to 15435

edition 06/2022 | EN
page 3 / 3



Order example: RTC D1 - 50/6 - C220

dimensions in [mm]

Technical data

D1	Thruster size	Spring [N]	M_{Br} [Nm] $\mu = 0,4^{1) 2)}$	A1	A2	B1	B2	B3	B4	C	D3	F	H1	H2 ³⁾	I	K	m [kg] ⁴⁾												
630	1250-60	450	1215	470	870				255	1035								181											
		800	2160															180											
		1250	3375															185											
	2000-60	700	1890		870				236	225								220	255	1035	27	300	410	10	170	400			180
		1300	3510																										
		2000	5405																										
3000-60	700	1975	870					255	1035									185											
	2300	6495																											
	2950	8330																											
710	1250-60	450	1370	530	955				255	1100								224											
		800	2435															223											
		1250	3810															223											
	2000-60	700	2130		955				265	255								240	255	1100	27	335	460	10	190	450			223
		1300	3960																										
		2000	6095																										
3000-60	700	2130	955					255	1100									223											
	2300	7010																											
	2950	8990																											

1. Friction value can change due to various operation conditions like circumferential speed, contact pressure, thermal load, material of the brake drum and environmental influences. This should be taken in consideration when calculating the brake.
2. Recommendation: necessary braking torque between 30 % and 80 % of the maximum value
3. without adjustment shim
4. without thruster, without accessories

subject to change without notice