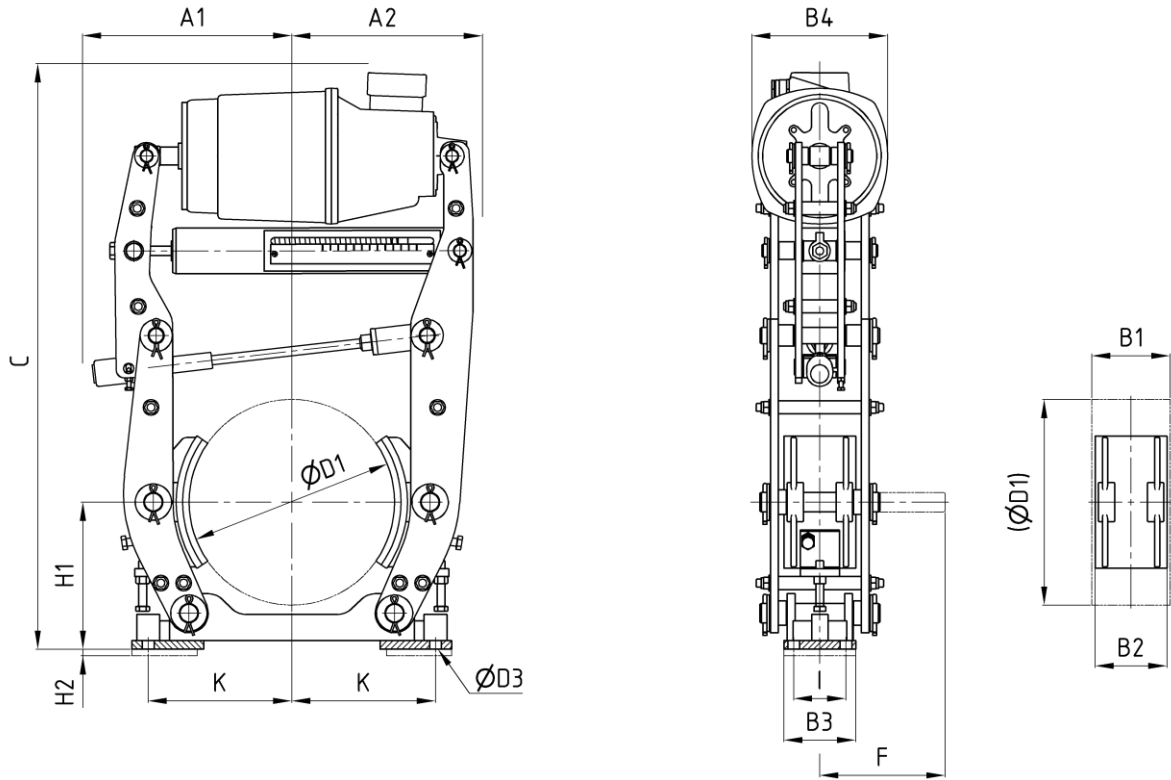


## Drum brake SL

according to 15435

 edition 06/2022 | EN  
 page 1 / 2


Order example: SL D1 - 50/6

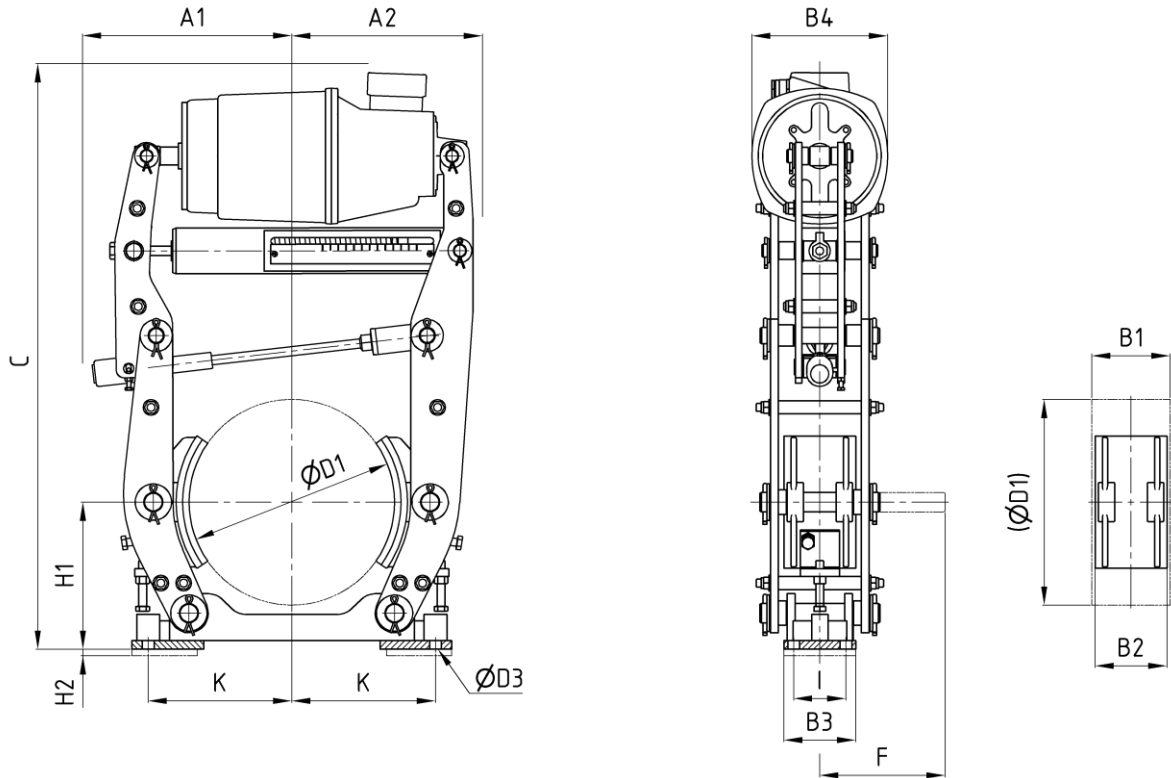
dimensions in [mm]

### Technical data

D1	Thruster size	$M_{Br}$ [Nm] $\mu = 0,4$ <sup>1)2)</sup>		A1	A2	B1	B2	B3	B4	C	D3	F	H1	H2 <sup>3)</sup>	I	K	m [kg] <sup>4)</sup>
200	23/5	100 -	300	235	190	75	70	80	162	730	14	155	155	5	55	145	24
	30/5	100 -	400	260	230					730							24
250	23/5	100 -	300	260	210	95	90	100	160	810	18	172	185	5	65	180	33
	30/5	100 -	410	260	245					785							33
	50/6	200 -	650	290	255					825							38
315	23/5	120 -	370	315	265	118	110	110	162	880	18	208	225	5	80	220	45
	30/5	120 -	520	315	265					880							45
	50/6	350 -	900	320	285					925							47
	80/6	350 -	1600	320	285					925							47
400	30/5	115 -	520	325	325	150	140	140	195	970	22	252	270	10	100	270	60
	50/6	350 -	920	325	325					1005							62
	80/6	350 -	1600	325	325					1005							62
	121/6	500 -	2550	445	390					1105							90

## Drum brake SL

according to 15435

 edition 06/2022 | EN  
 page 2 / 2


Order example: SL D1 - 50/6

dimensions in [mm]

### Technical data

D1	Thruster size	$M_{Br}$ [Nm] $\mu = 0,4$ <sup>1)2)</sup>		A1	A2	B1	B2	B3	B4	C	D3	F	H1	H2 <sup>3)</sup>	I	K	m [kg] <sup>4)</sup>
500	50/6	500 -	1230	405	395				195	1245							125
	80/6	500 -	2050	405	395	190	180	180	210	1245	22	315	330	10	130	325	125
	121/6	750 -	3180	425	400				255	1245							125
	201/6	1000 -	4950	425	400				255	1245							125
630	121/6	1000 -	3100	470	470				255	1400							185
	201/6	1000 -	4900	470	470	236	225	220	255	1400	27	390	410	10	170	400	185
	301/6	1500 -	7500	470	470				255	1400							190
710	121/6	1500 -	3550	530	530				255	1485							235
	201/6	1500 -	5500	530	530	265	255	240	255	1485	27	430	460	10	190	450	235
	301/6	2000 -	8500	530	530				255	1485							240

1. Friction value can change due to various operation conditions like circumferential speed, contact pressure, thermal load, material of the brake drum and environmental influences. This should be taken in consideration when calculating the brake.
2. Recommendation: necessary braking torque between 30 % and 80 % of the maximum value
3. without adjustment shim
4. without thruster, without accessories